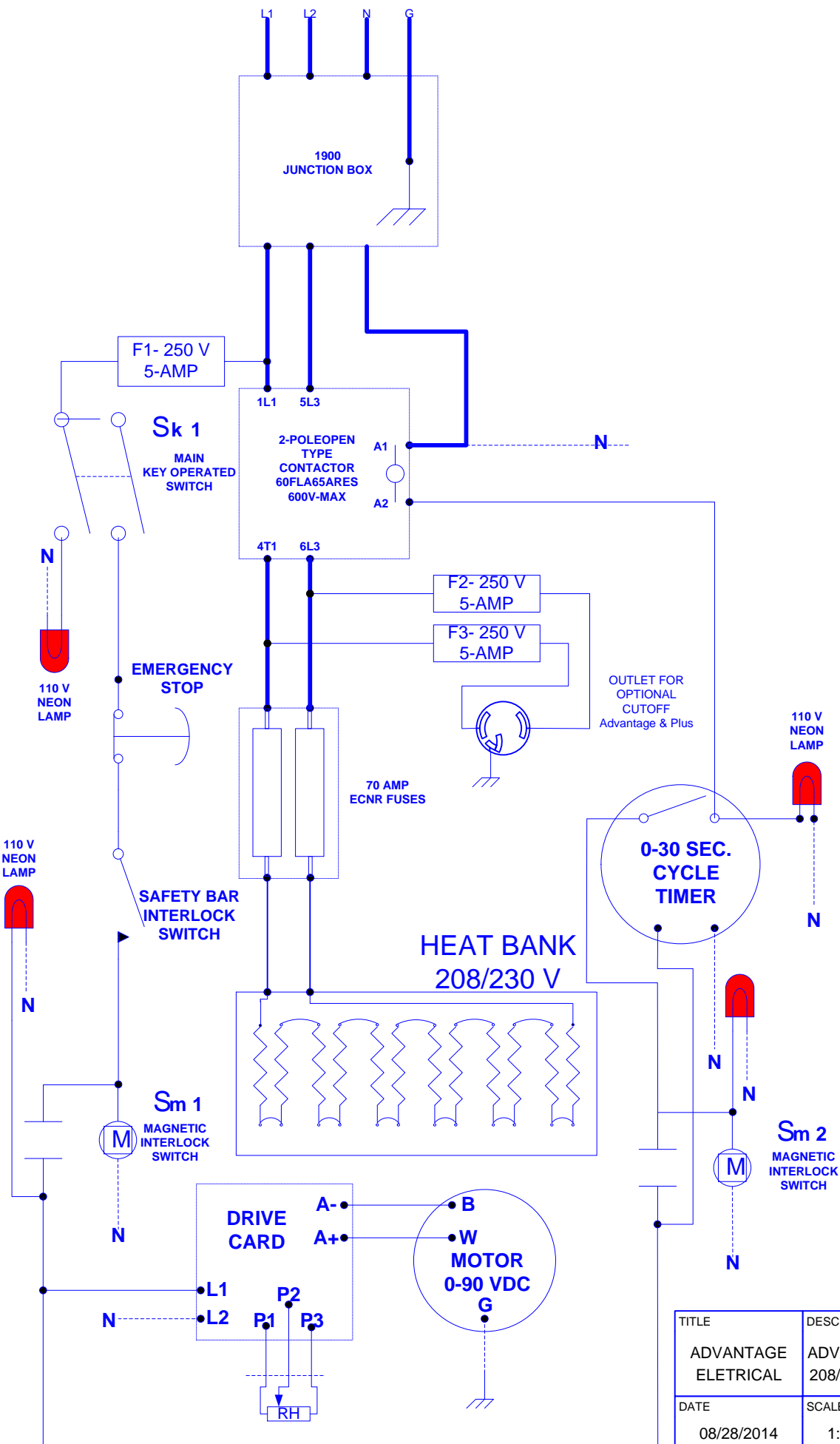
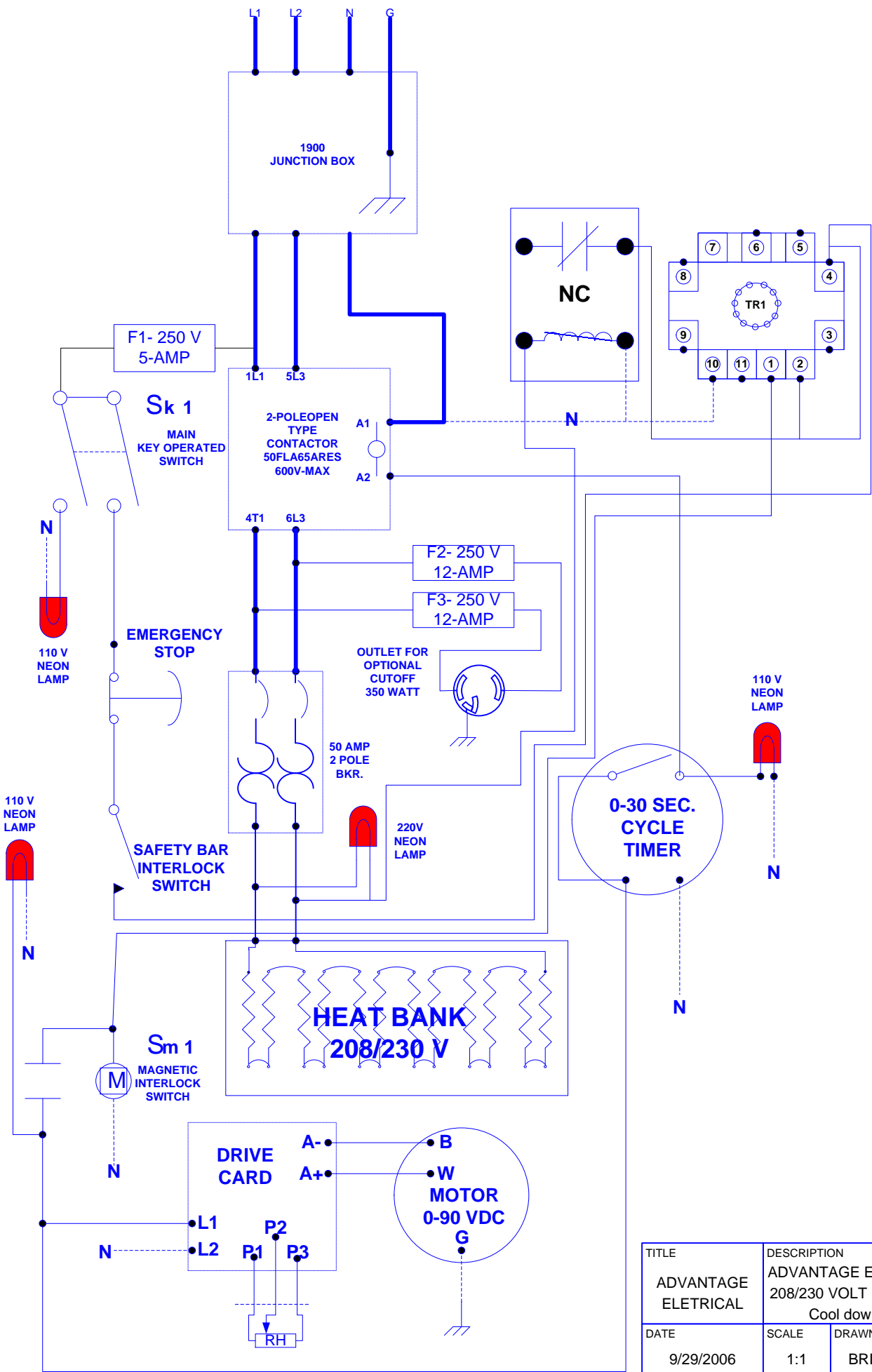


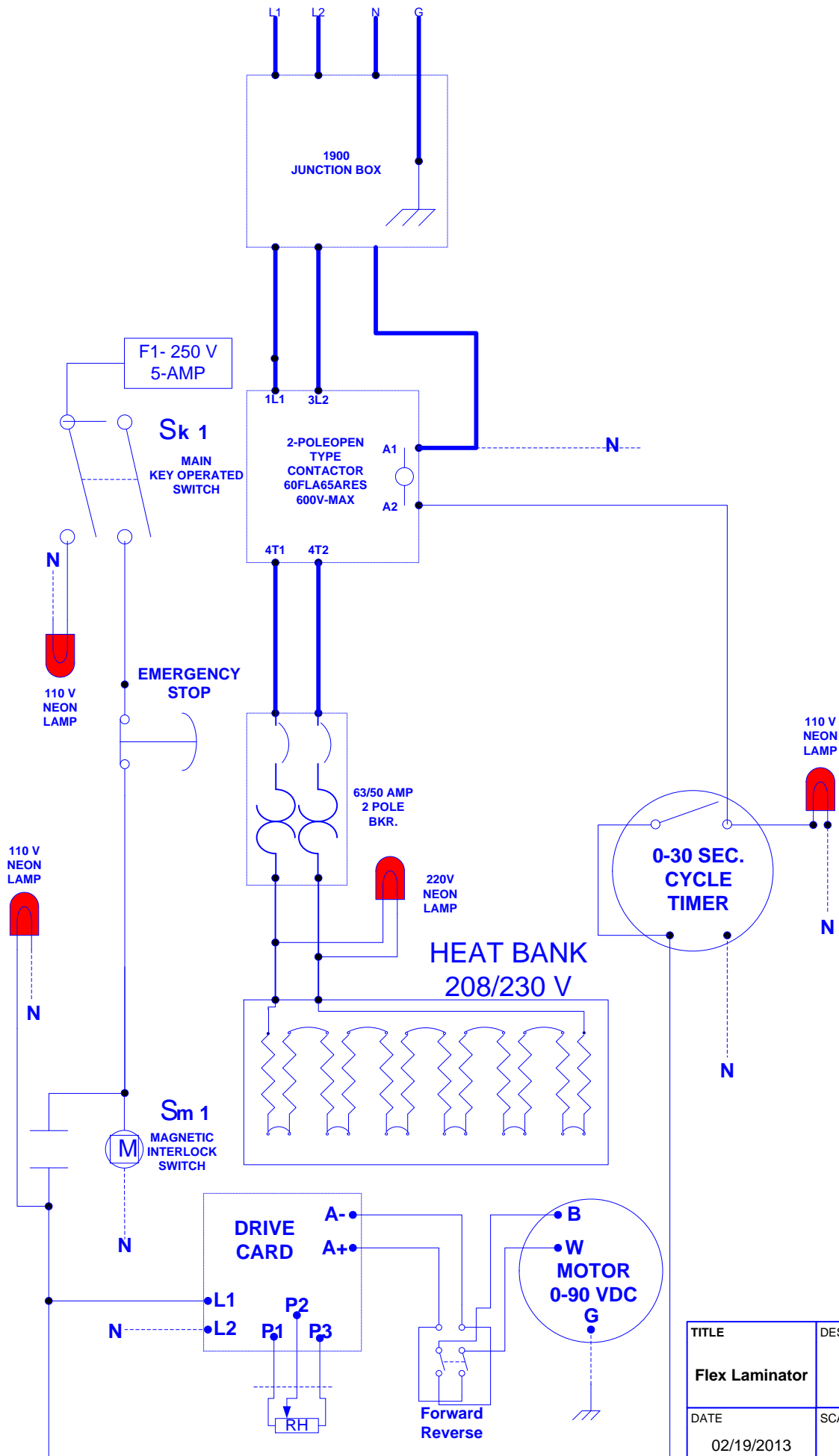
TITLE		DESCRIPTION	
ADVANTAGE ELECTRICAL		ADVANTAGE ELECTRICAL 208/230 VOLT LAMINATOR	
DATE	SCALE	DRAWN BY	
9/29/2006	1:1	BRIAN LINGIS	



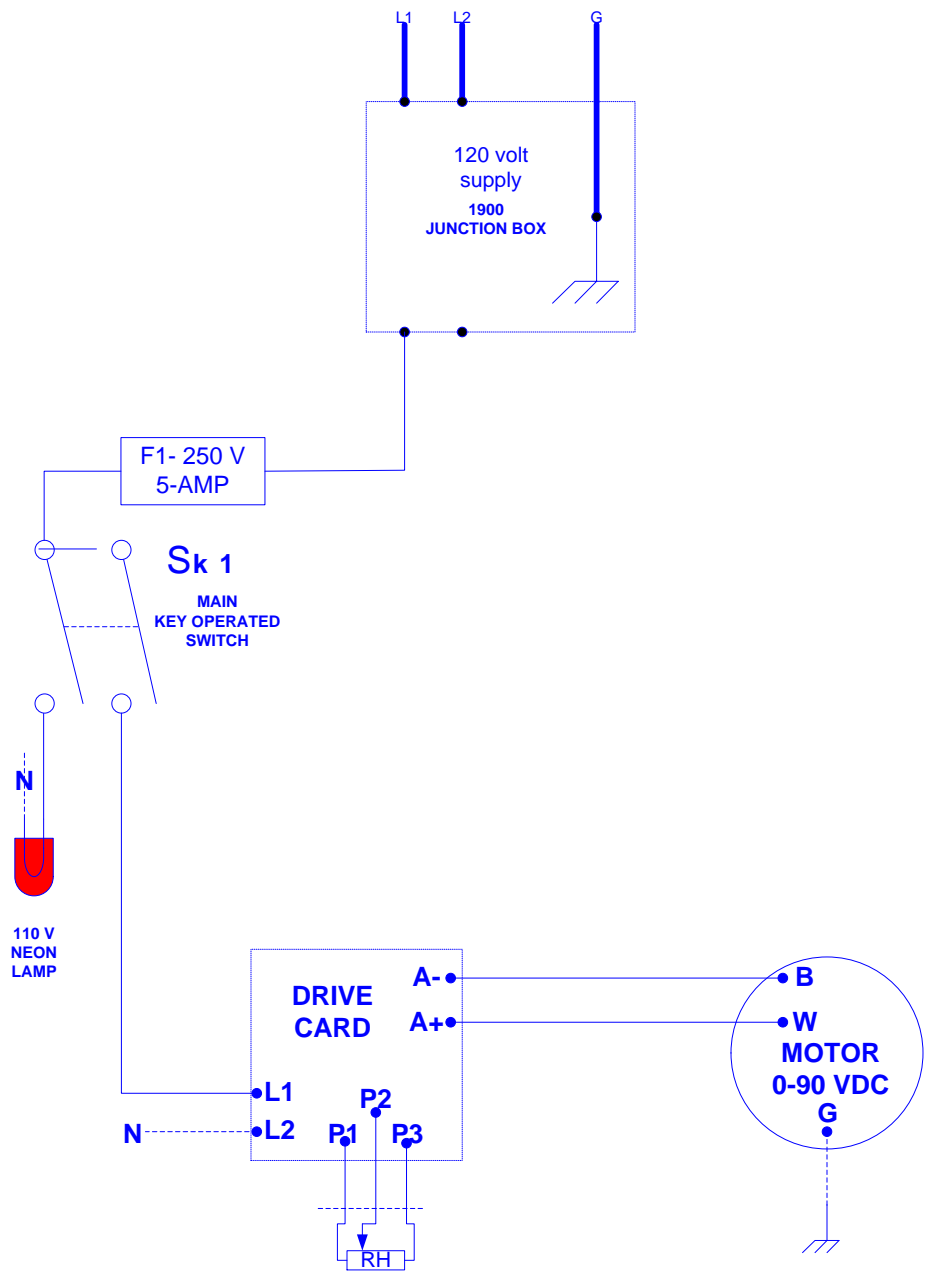
TITLE		DESCRIPTION	
ADVANTAGE ELETRICAL		ADVANTAGE ELECTRICAL 208/230 VOLT LAMINATOR	
DATE	SCALE	DRAWN BY	
08/28/2014	1:1	BRIAN LINGIS	



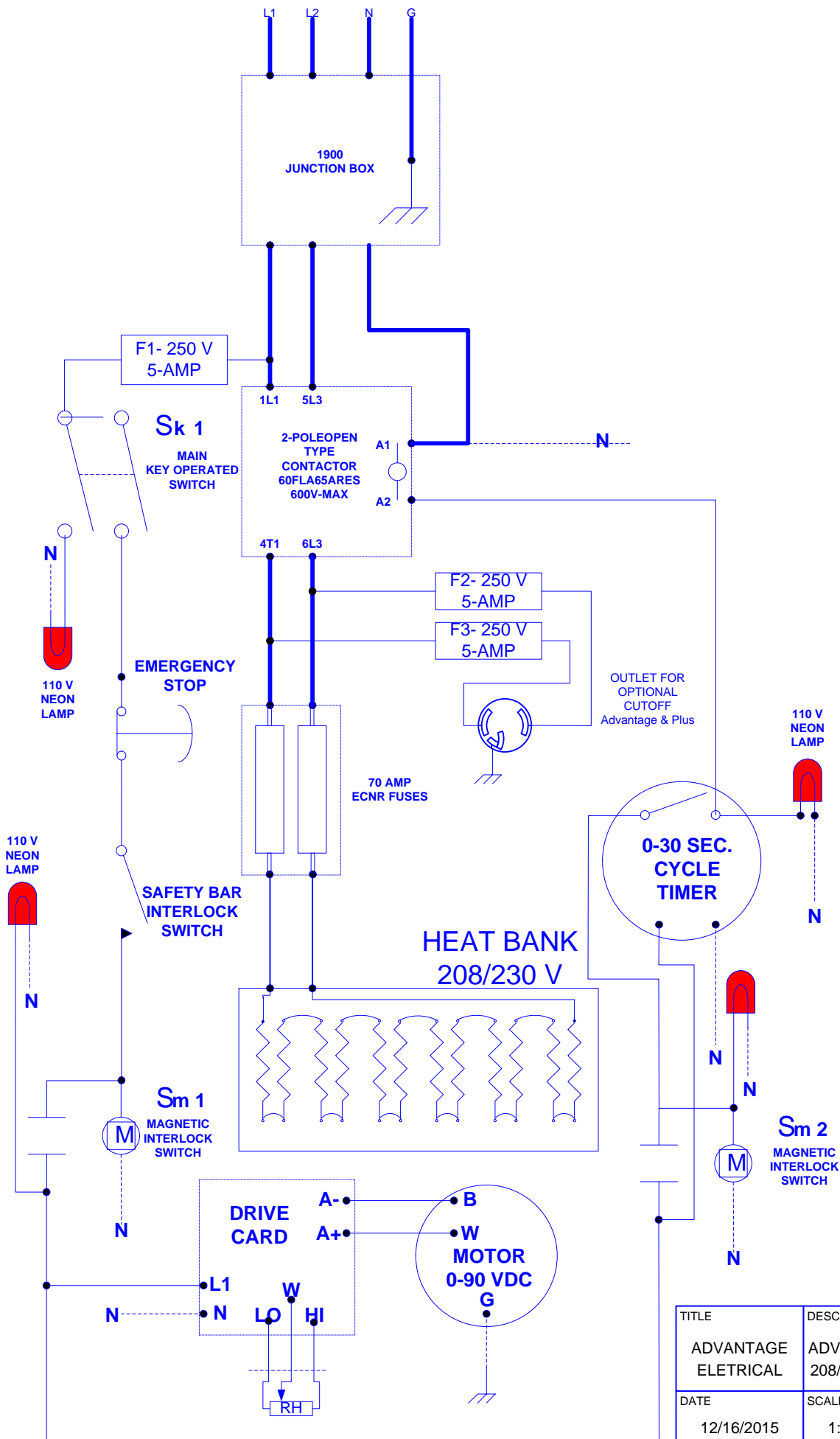
TITLE	DESCRIPTION	
ADVANTAGE ELETRICAL	ADVANTAGE ELECTRICAL 208/230 VOLT LAMINATOR Cool down delay	
DATE	SCALE	DRAWN BY
9/29/2006	1:1	BRIAN LINGIS



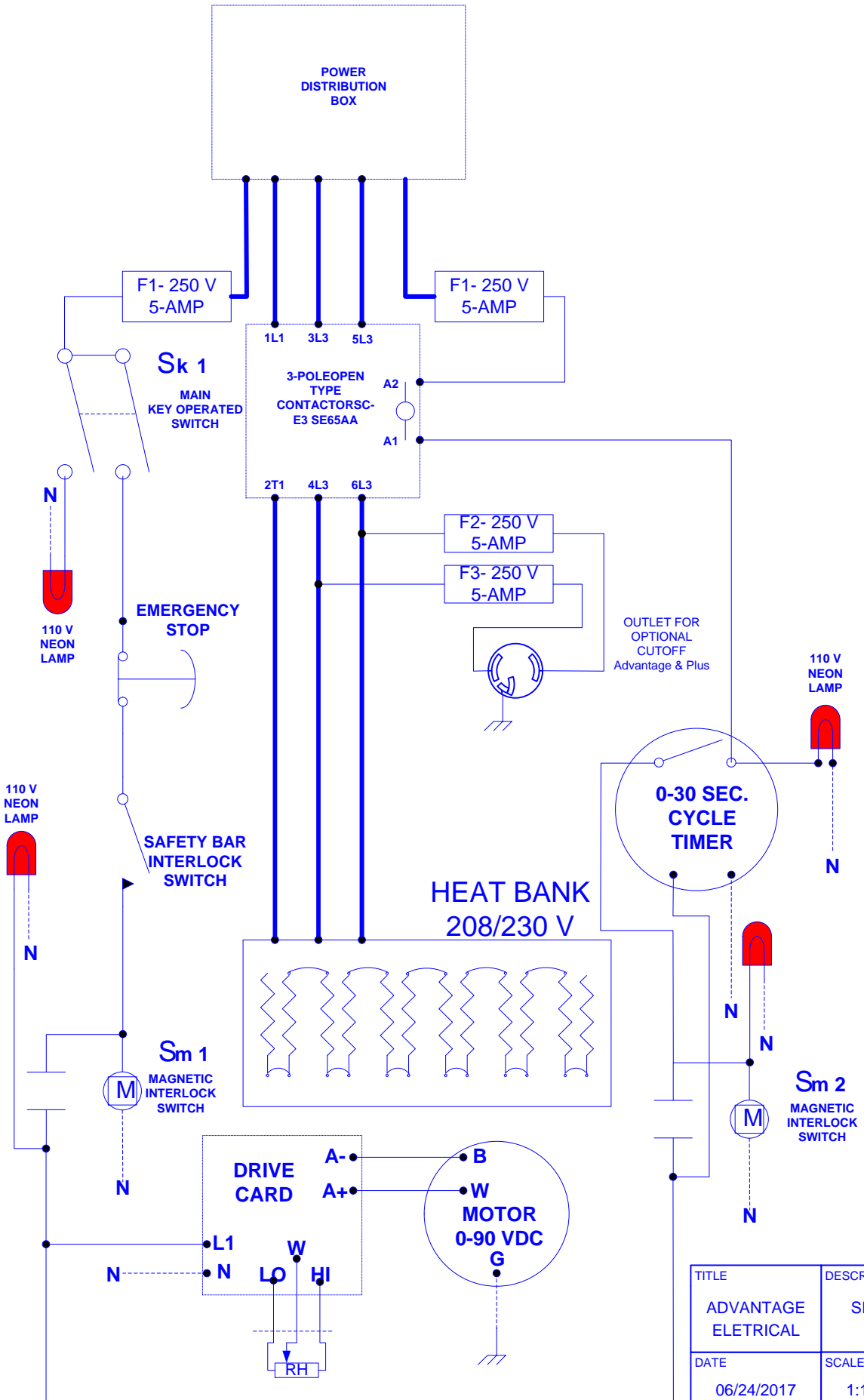
TITLE	DESCRIPTION	
Flex Laminator	Flex Laminator 230volt Electrical	
DATE	SCALE	DRAWN BY
02/19/2013	1:1	BRIAN LINGIS



TITLE	DESCRIPTION	
Flex Laminator/ Rewinder	Pickle Fork Rewinder 120 Volt Electrical	
DATE	SCALE	DRAWN BY
03/18/2013	1:1	BRIAN LINGIS

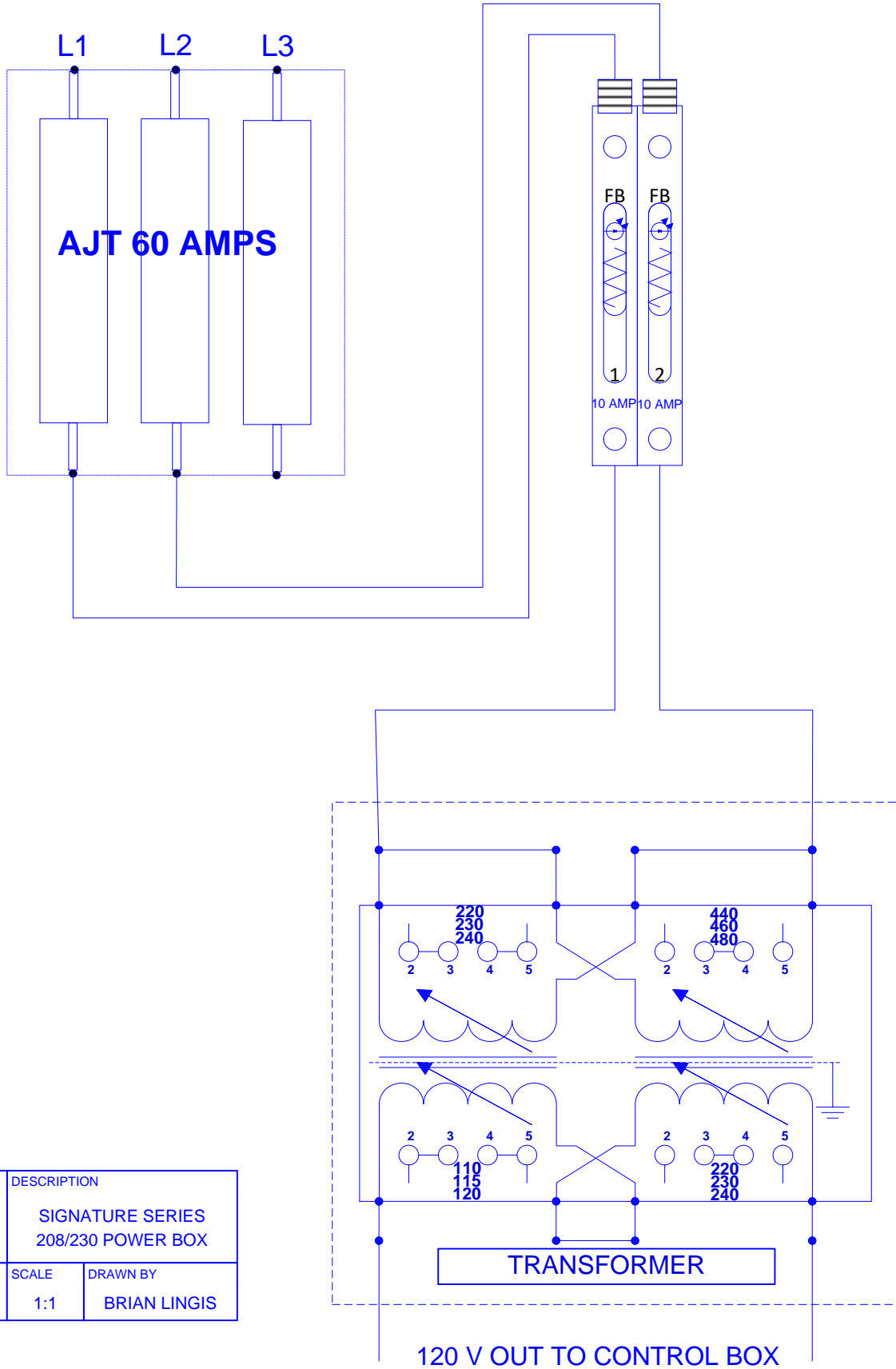


TITLE		DESCRIPTION	
ADVANTAGE ELETRICAL		ADVANTAGE ELECTRICAL 208/230 VOLT LAMINATOR	
DATE	SCALE	DRAWN BY	
12/16/2015	1:1	BRIAN LINGIS	



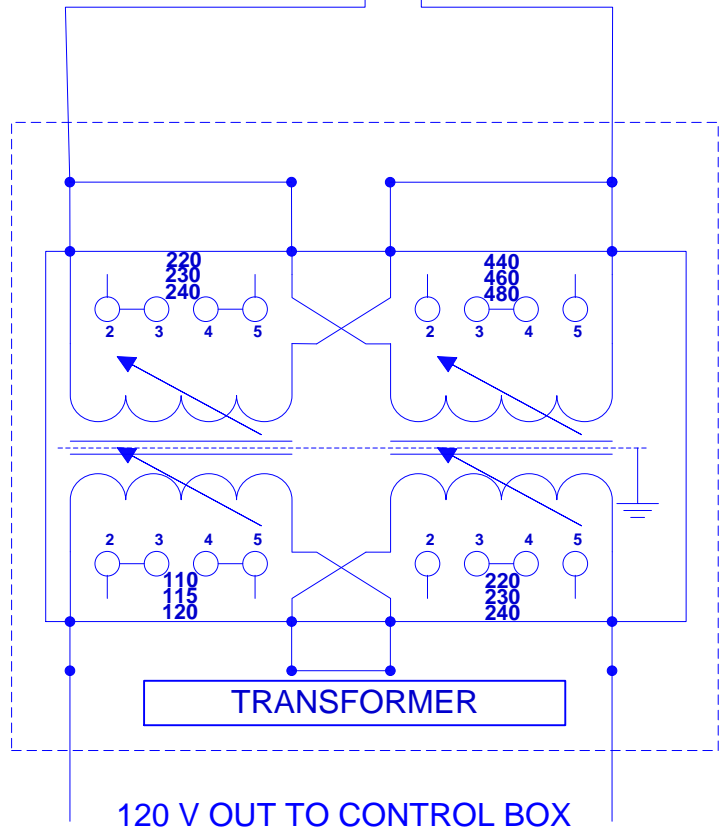
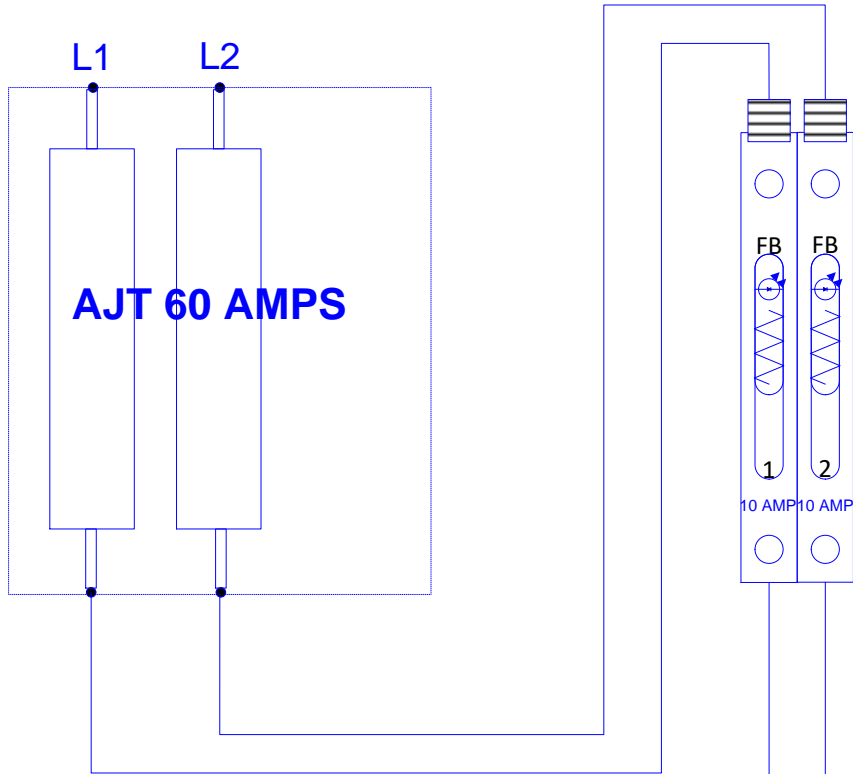
TITLE		DESCRIPTION	
ADVANTAGE		SIGNATURE SERIES	
ELETRICAL		208/230	
DATE	SCALE	DRAWN BY	
06/24/2017	1:1	BRIAN LINGIS	

POWER DISTRIBUTION BOX

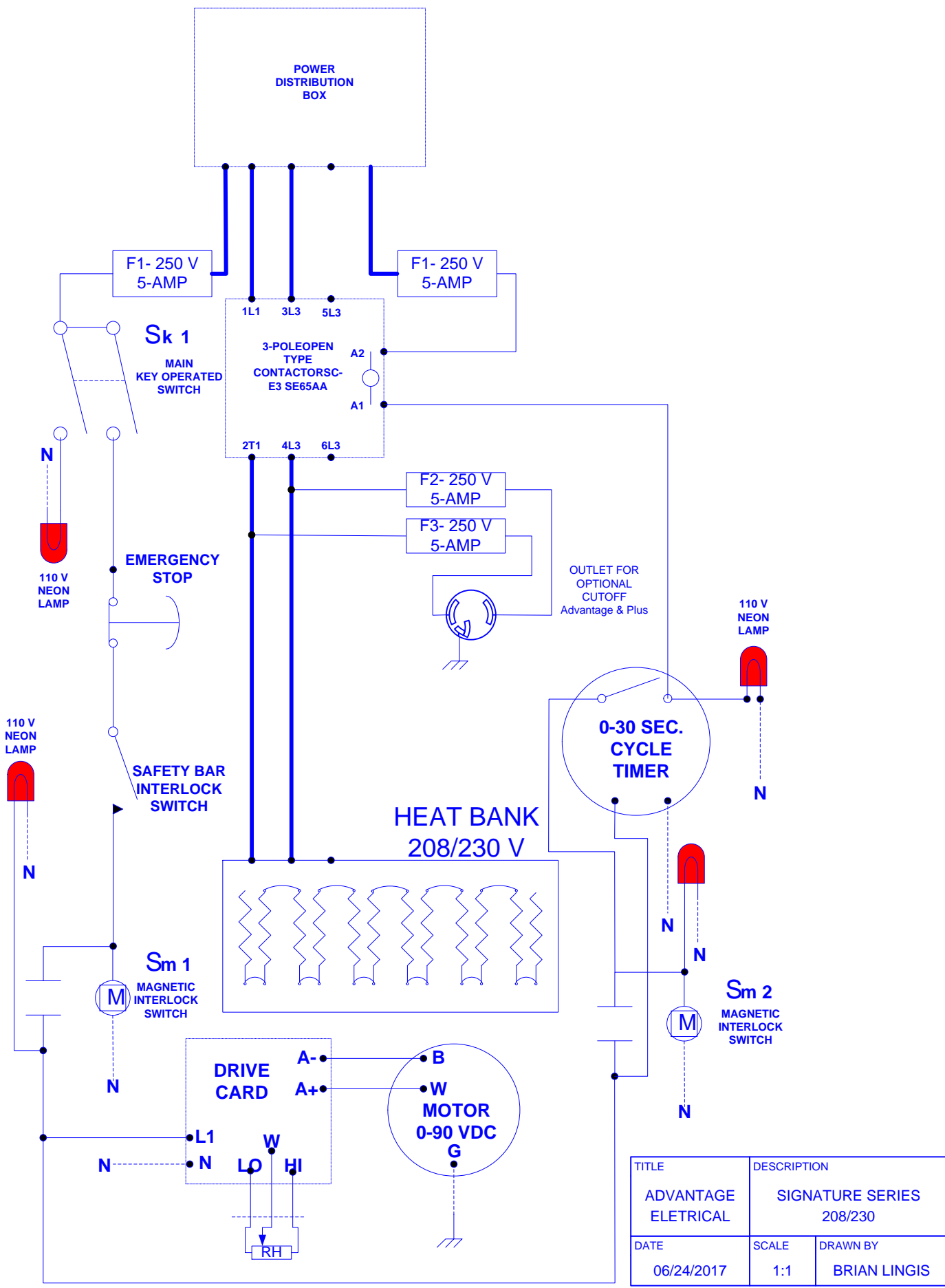


TITLE	DESCRIPTION	
ADVANTAGE ELETRICAL	SIGNATURE SERIES 208/230 POWER BOX	
DATE 06/24/2017	SCALE 1:1	DRAWN BY BRIAN LINGIS

POWER DISTRIBUTION BOX



TITLE	DESCRIPTION	
ADVANTAGE ELETRICAL	SIGNATURE SERIES 208/230 POWER BOX	
DATE	SCALE	DRAWN BY
06/24/2017	1:1	BRIAN LINGIS



TITLE		DESCRIPTION	
ADVANTAGE ELETRICAL		SIGNATURE SERIES 208/230	
DATE	SCALE	DRAWN BY	
06/24/2017	1:1	BRIAN LINGIS	